

## PRODUCT OVERVIEW

The Adaptiv Twitch is a line powered (120-277 VAC, single phase) wireless wall switch for Smart Lighting. It does not use batteries and fully supports installations with *or without* a neutral line, making it the ideal wireless switch solution for the 75% of commercial / industrial space in the United States that lacks a neutral at the switch, as well as the 25% that have a neutral. It is available as a 2-button On/Off/Dimmer (Twitch-2) and a 6-button On/Off/Dimmer/Scene Controller (Twitch-6). It is Decora style, gang-able and installs into a standard junction box. Twitch is compatible with **Zigbee 3.0** and **Daintree** systems, making it a seamless addition to existing Smart Lighting ecosystems.

## FEATURES

Works with :: **Daintree**  
NETWORKED

- No batteries or battery maintenance
- Wiring with neutral is optional and simple
- Wireless switching, dimming & pre-configured scenes
- Zigbee compliant (network router)
- Daintree compliant
- Replacement Mode (pre-commissioning lighting control)
- Adaptiv Auto Commissioning technology (please inquire)
- Decora style (junction box, gang-able)
- LED indicator (button press, factory reset, connection status)
- 2 & 6 button keypads
- Implements 3-way functionality



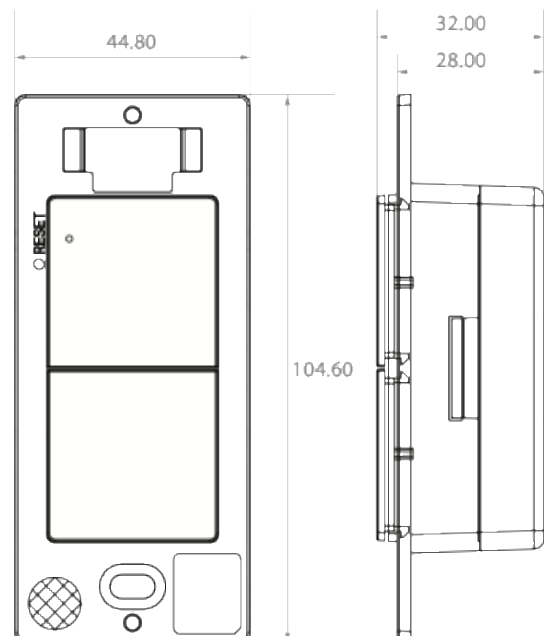
Twitch-2



Twitch-6

## DIMENSIONS

<b>Height</b>	104.6 mm / 4.12"
<b>Width</b>	44.8 mm / 1.76"
<b>Depth</b>	32.0 mm / 1.26"
<b>Weight</b>	3.14 ounces / 89 g



## SPECIFICATIONS

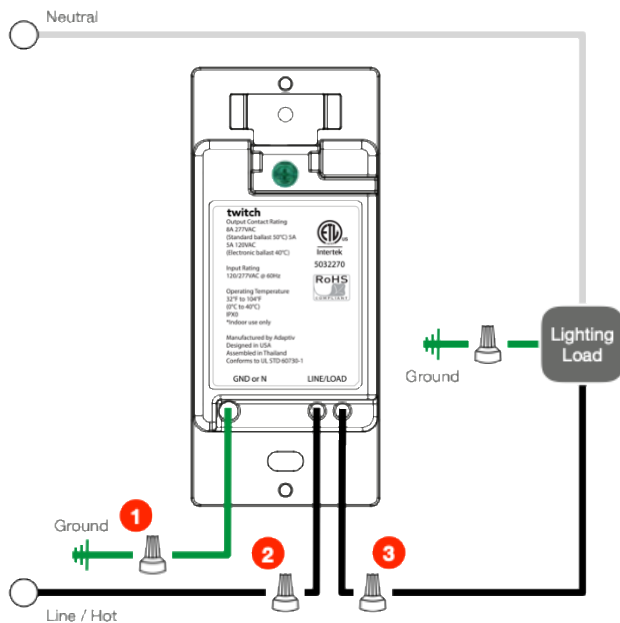
<b>Input Ratings</b>	120 ~ 277 VAC 60Hz
<b>Output Ratings</b>	8A 277 VAC / 5A 120 VAC
<b>Mounting</b>	Wall-Mount Junction Box
<b>Operating Temperature</b>	0°C to 40°C
<b>Relative Humidity</b>	Up to 75% Non-Condensing
<b>Wireless</b>	2.4GHz (ISM)

## WIRING INSTRUCTIONS

Twitch is pre-configured for installations without a neutral line in the junction box, making it ideal for most commercial and industrial spaces. If a neutral line is available, Twitch can be adapted in seconds. Simply remove the green sleeve to enable compatibility. This flexibility ensures easy installation and compliance in any setting.

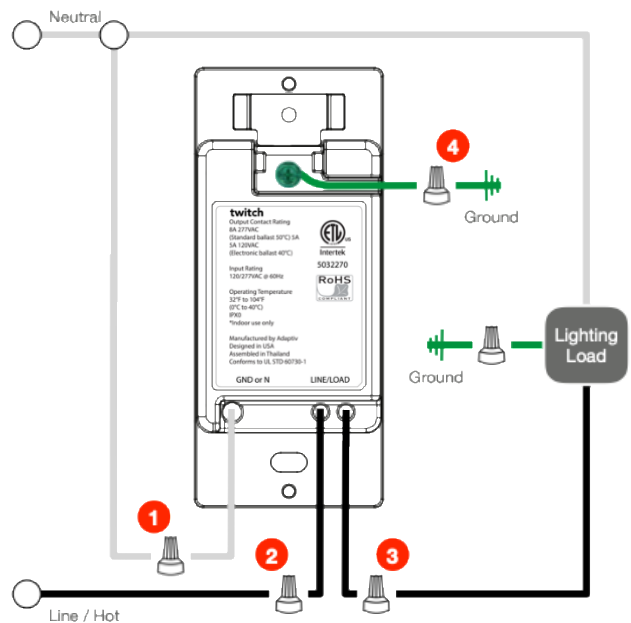
### NO NEUTRAL (GROUND ONLY)

- 1 Connect GREEN lead to earth ground.
- 2 Connect one BLACK lead to Line / Hot (in).
- 3 Connect other BLACK lead to Line / Hot (out, to Load).



### NEUTRAL AVAILABLE

- 1 Remove green sleeve from GREEN lead, connect (now WHITE lead) to Neutral.
- 2 Connect one BLACK lead to Line / Hot (in).
- 3 Connect other BLACK lead to Line / Hot (out, to Load).
- 4 Connect earth ground in junction box to ground screw.



## PATENT PROTECTION

TWITCH is covered by one or more of the following U.S. Patents :: 9560727, 9924581, 9930760, 9930761, 10212791, 10212792, 11116065, 11240902, 11602036, 11617252, 11617253, 11659643, 11659644, 11671014, 11672071, 11678418.

## WARRANTY

TWITCH comes with a five-year limited equipment warranty. This is the sole warranty offered, and no other statements in this specification sheet create any additional warranties. All other express and implied warranties are disclaimed.