

### PRODUCT OVERVIEW

The Adaptiv Twitch is a line powered (120-277 VAC, single phase) wireless wall switch for Smart Lighting. It does not use batteries and fully supports installations with *or without* a neutral line, making it the ideal wireless switch solution for the 75% of commercial / industrial space in the United States that lacks a neutral at the switch, as well as the 25% that have a neutral. It is available as a 2-button On/Off/Dimmer (Twitch-2) and a 6-button On/Off/Dimmer/Scene Controller (Twitch-6). It is Decora style, gang-able and installs into a standard junction box. Twitch is compatible with **Zigbee 3.0** and **Daintree** systems, making it a seamless addition to existing Smart Lighting ecosystems.

### FEATURES / SPECIFICATIONS

Works with :: **Daintree**  
NETWORKED

- No batteries or battery maintenance
- Works with *or without* a neutral line
- Wireless switching, dimming & pre-configured scenes
- Zigbee 3.0 compliant (network router)
- Daintree compliant
- Replacement Mode (pre-commissioning lighting control)
- Adaptiv Auto Commissioning technology (please inquire)
- Decora style (junction box, gang-able)
- LED indicator (button press, factory reset, connection status)
- 2 & 6 button keypads
- Implements 3-way functionality
- Input ratings :: 120-277 VAC (single phase)
- Output ratings :: 8A 277 VAC / 5A 120 VAC
- Operating temperature :: 0°C to 40°C
- Relative humidity :: up to 75% non-condensing
- Wireless :: 2.4GHz (ISM)



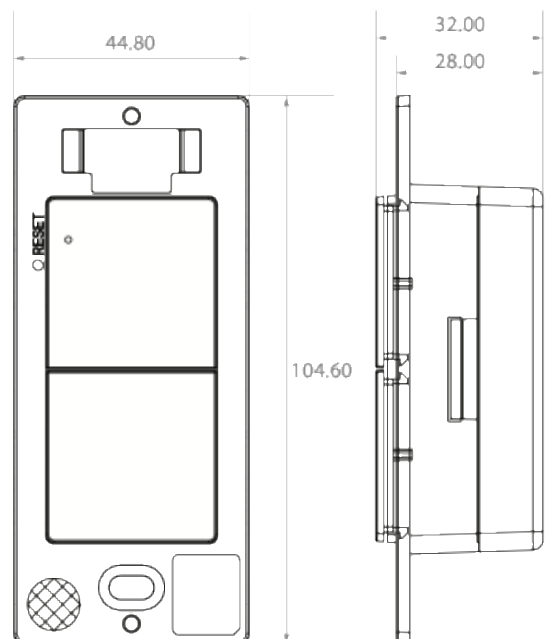
Twitch-2



Twitch-6

### DIMENSIONS

Height	104.6 mm / 4.12"
Width	44.8 mm / 1.76"
Depth	32.0 mm / 1.26"
Weight	3.14 ounces / 89 g



### BEFORE YOU BEGIN

Read these instructions completely and carefully.  
Save these instructions for future use.

### ⚠ WARNING ⚠

**Risk of electrical shock.** Disconnect power before servicing or installing product.

**Risk of injury.** Wear safety glasses and gloves during installation and servicing.

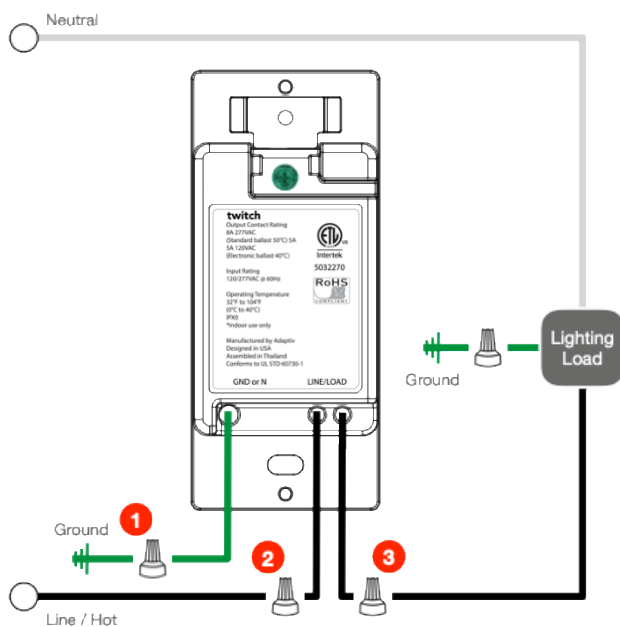
**Install in accordance with National Electric Code and local codes.**

## WIRING INSTRUCTIONS

Twitch is pre-configured for installations without a neutral line in the junction box, making it ideal for most commercial and industrial spaces. If a neutral line is available, Twitch can be adapted in seconds. Simply remove the green sleeve to enable compatibility. This flexibility ensures easy installation and compliance in any setting.

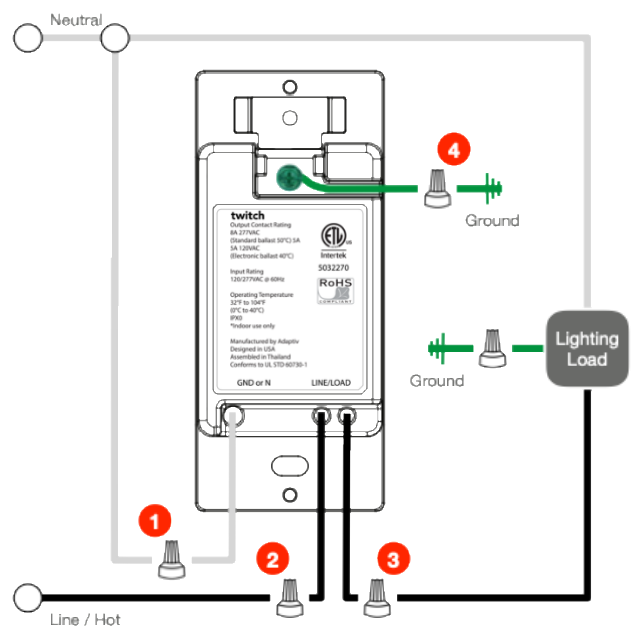
### NO NEUTRAL (GROUND ONLY)

- 1 Connect GREEN lead to earth ground.
- 2 Connect one BLACK lead to Line / Hot (in).
- 3 Connect other BLACK lead to Line / Hot (out, to Load).



### NEUTRAL AVAILABLE

- 1 Remove green sleeve from GREEN lead, connect (now WHITE lead) to Neutral.
- 2 Connect one BLACK lead to Line / Hot (in).
- 3 Connect other BLACK to Line / Hot (out, to Load).
- 4 Connect earth ground in junction box to ground screw.

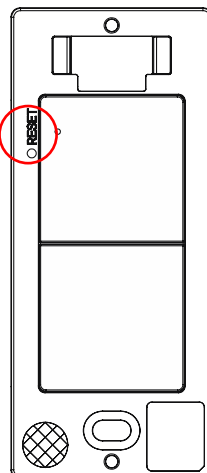


## OPERATING INSTRUCTIONS

### FACTORY RESET

To perform a Factory Reset, press and hold the reset button with a paper clip for  $\approx 5$  seconds, releasing when the LED on the upper left of the top button blinks rapidly, confirming the reset. This will remove Twitch from its current network. The LED will then blink every 5 seconds until it successfully joins a new network.

NOTE – if a Twitch is Factory Reset, it will revert to Replacement Mode (see below) and must join a wireless network prior to returning to wireless operation.

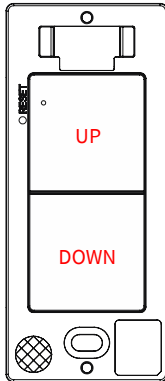


### NETWORK STATUS

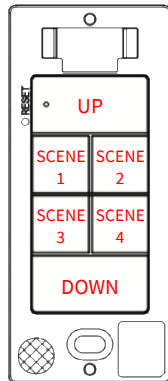
To determine the current Network Status, press (brief single press) the reset button (see diagram to left) with a paper clip. The LED on the upper left of the top button will blink, indicating one of the following ::

- 1 **Blink** Joined to network
- 2 **Blinks** No networks available
- 3 **Blinks** 1+ networks, but no network join enabled
- 4 **Blinks** Error attempting to join network

## BUTTON FUNCTIONALITY



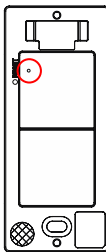
Twitch-2



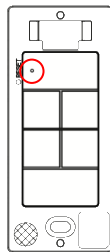
Twitch-6

<b>UP</b> (press)	<b>(2B)</b>	Lights ON, previous level
	<b>(6B)</b>	Lights ON, 100%
<b>UP</b> (hold)	<b>(2B, 6B)</b>	Lights ON (if off), dim up
<b>DOWN</b> (press)	<b>(2B, 6B)</b>	Lights OFF
<b>DOWN</b> (hold)	<b>(2B, 6B)</b>	Lights ON (if off), dim down
<b>SCENE 1</b> (press)	<b>(6B)</b>	Lights ON (if off), 80%
<b>SCENE 2</b> (press)	<b>(6B)</b>	Lights ON (if off), 50%
<b>SCENE 3</b> (press)	<b>(6B)</b>	Lights ON (if off), 30%
<b>SCENE 4</b> (press)	<b>(6B)</b>	Lights ON (if off), 10%

## LED INDICATOR



Twitch-2



Twitch-6

<b>Blink every 5 seconds</b>	Trying to join a network
<b>Blink on button press</b>	Confirming button press
<b>Blinks rapidly</b>	Confirming Factory Reset
<b>Blink after power restored</b>	Ready for use

NOTE – If a Network Status is requested by pressing the Reset button, the LED will blink 1 to 4 times. See Network Status section above for interpretation.

## PATENT PROTECTION

TWITCH is covered by one or more of the following U.S. Patents :: 9560727, 9924581, 9930760, 9930761, 10212791, 10212792, 11116065, 11240902, 11602036, 11617252, 11617253, 11659643, 11659644, 11671014, 11672071, 11678418.

## WARRANTY

TWITCH comes with a five-year limited equipment warranty. This is the sole warranty offered, and no other statements in this specification sheet create any additional warranties. All other express and implied warranties are disclaimed.

## REPLACEMENT MODE

Twitch ships from the factory in Replacement Mode, which utilizes an internal relay to duplicate existing lighting behavior prior to commissioning to wireless operation. Lighting works exactly as it did prior to the installation, eliminating the interim need for “all-on” / breaker-based operation other products require. NOTE – This temporary mode of operation toggles power to the connected fixtures in the same manner as a traditional mechanical on/off light switch.

Once Twitch joins a wireless network, Replacement Mode ends, and wireless operation begins.

NOTE – if a Twitch is Factory Reset, it will revert to Replacement Mode and must join a wireless network prior to returning to wireless operation.

Referring to the diagrams to the left, button functionality in Replacement Mode is as follows ::

<b>UP</b> (press)	Lights ON, 100%
<b>DOWN</b> (press)	Lights OFF
<b>SCENE</b> (any) (press)	N/A

## IEEE (MAC ID) LABELS

Included in Twitch packaging are 2 IEEE stickers for recording the device IEEE address and location on the facility floor plan. The same IEEE address is permanently labeled on the front housing.

