

PRODUCT OVERVIEW

The Adaptiv Twitch is a line powered (120-277 VAC, single phase) wireless wall switch for Smart Lighting. It does not use batteries and fully supports installations with *or without* a neutral line, making it the ideal wireless switch solution for the 75% of commercial / industrial space in the United States that lacks a neutral at the switch, as well as the 25% that have a neutral. It is available as a 2-button On/Off/Dimmer (Twitch-2) and a 6-button On/Off/Dimmer/Scene Controller (Twitch-6). It is Decora style, gang-able and installs into a standard junction box. Twitch is compatible with **Zigbee 3.0** and **Daintree** systems, making it a seamless addition to existing Smart Lighting ecosystems.

FEATURES

Works with :: **Daintree**
NETWORKED

- No batteries or battery maintenance
- Wiring with neutral is optional and simple
- Wireless switching & dimming
- Scene control (pre-configured & user defined at Twitch)
- Zigbee compliant (network router)
- Daintree compliant
- Standalone Mode (pre-commissioning lighting control)
- Adaptiv Auto Commissioning technology (please inquire)
- Decora style (junction box, gang-able)
- LED indicator (button press, factory reset, connection status)
- 2 & 6 button keypads



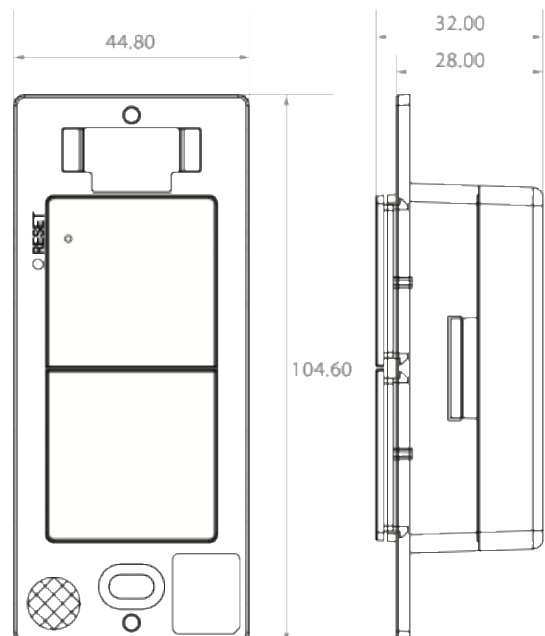
Twitch-2



Twitch-6

DIMENSIONS

Height	104.6 mm / 4.12"
Width	44.8 mm / 1.76"
Depth	32.0 mm / 1.26"
Weight	3.14 ounces / 89 g



SPECIFICATIONS

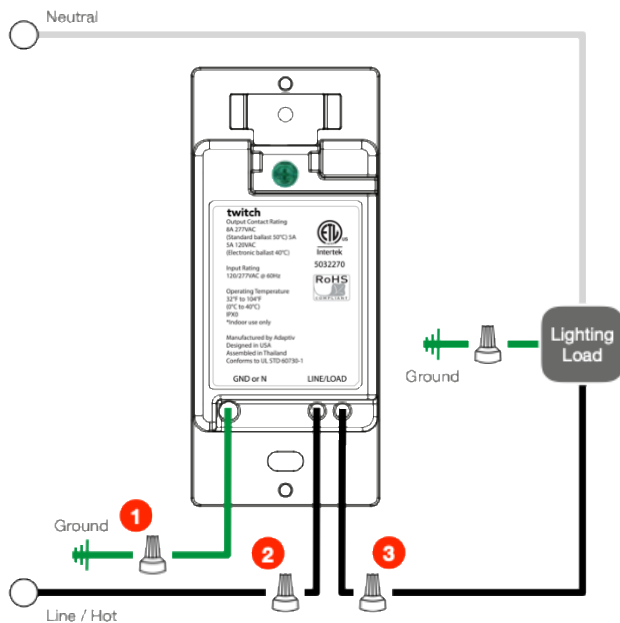
Input Ratings	120 ~ 277 VAC 60Hz
Output Ratings	8A 277 VAC / 5A 120 VAC
Mounting	Wall-Mount Junction Box
Operating Temperature	0°C to 40°C
Relative Humidity	Up to 75% Non-Condensing
Wireless	2.4GHz (ISM)

WIRING INSTRUCTIONS

Twitch is pre-configured for installations without a neutral line in the junction box, making it ideal for most commercial and industrial spaces. If a neutral line is available, Twitch can be adapted in seconds. Simply remove the green sleeve to enable compatibility. This flexibility ensures easy installation and compliance in any setting.

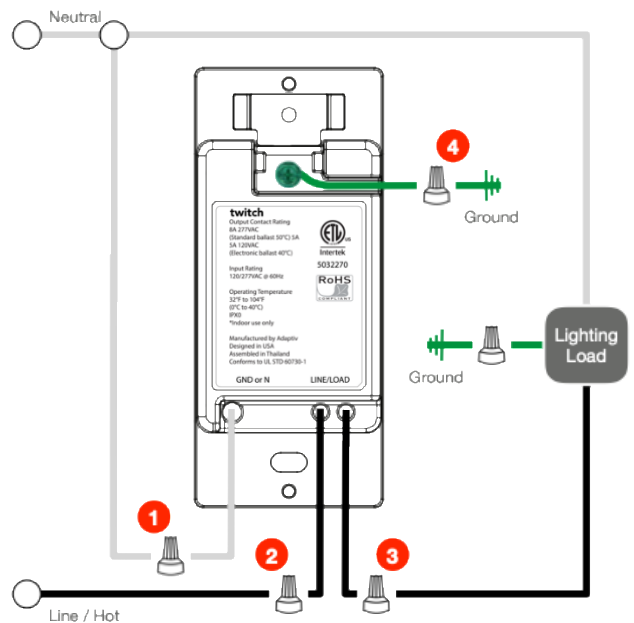
NO NEUTRAL (GROUND ONLY)

- 1 Connect GREEN lead to earth ground.
- 2 Connect one BLACK lead to Line / Hot (in).
- 3 Connect other BLACK lead to Line / Hot (out, to Load).



NEUTRAL AVAILABLE

- 1 Remove green sleeve from GREEN lead, connect (now WHITE lead) to Neutral.
- 2 Connect one BLACK lead to Line / Hot (in).
- 3 Connect other BLACK lead to Line / Hot (out, to Load).
- 4 Connect earth ground in junction box to ground screw.



PATENT PROTECTION

TWITCH is covered by one or more of the following U.S. Patents :: 9560727, 9924581, 9930760, 9930761, 10212791, 10212792, 11116065, 11240902, 11602036, 11617252, 11617253, 11659643, 11659644, 11671014, 11672071, 11678418.

WARRANTY

TWITCH comes with a five-year limited equipment warranty. This is the sole warranty offered, and no other statements in this specification sheet create any additional warranties. All other express and implied warranties are disclaimed.